



INSTALLATION & OPERATION INSTRUCTIONS
FOR 4800 SERIES FLOWMETERS

The 4800 acrylic block flowmeters are available in various ranges in both SAE and SI units for air and water (see chart on other side). These direct reading meters are also available for other gases and liquids. If the meter will be used with fluids other than air or water, please consult chemical compatibility data for possible effects on the meter. When properly installed and maintained, these durable acrylic meters will provide years of trouble-free operation.

the flowmeter should be installed in a manner, which minimizes both external vibrations and internal flow variations. Special care should be taken so that the connections to the meter's inlet and outlet fittings do not overly restrict the liquid or gas flow being metered. This could result in a reduced flow volume, preventing the meter from reaching its maximum flowrate. Furthermore, internal pressures could be affected, which can cause inaccurate flow readings. On start-up, slowly purge any fluid trapped in the meter.

SPECIFICATIONS	
ACCURACY:	± 3% Full Scale
FLOATS:	Stainless Steel
WETTED METAL PARTS:	Stainless Steel
METER BODY:	Clear Acrylic
FITTINGS:	3/4-14 FNPT PVC Fittings
ELASTOMERS:	Buna-N
MOUNTING INSERTS:	10-32 UNF x 3/8"
MAXIMUM TEMPERATURE:	150°F (65 °C)
MAXIMUM PRESSURE:	100 PSIG (690 kPa)

INSTALLATION

These meters are supplied with round 3/4-14 FNPT inlet and outlet fittings. When installing the meter, securely hold the meter's fittings from rotating while connecting the flow lines. (Use pipe thread sealant or Teflon® tape to achieve a positive seal when connecting the flowmeter.) **Failure to hold the meter fittings or over-tightening may cause damage to the fitting, flowmeter or both; which will result in leaks or meter failure.** The meter is supplied with #10-32 threaded inserts for mounting. When installing, use slotted screws and torque to a maximum of 35 in-lbs. Mounting dimensions are shown in the figure on the reverse side.

UNPACKING

Precautions have been taken to prevent any damage from occurring during shipment. However, if the meter is received damaged, **report it to the carrier immediately**. Before installing, verify that you have the model and flow range required.

CLEANING AND DISASSEMBLY

Occasional cleaning may be required if dirt appears in the flow tube or if float movement becomes restricted. To clean, remove the outlet fitting and remove the rod guide assembly. Wash the tapered hole and float stops with a mild liquid detergent and soft brush. Rinse all parts with clean water and dry thoroughly with clean air or nitrogen. **Do not use solvents to clean this meter** as they will attack the acrylic and destroy the meter.

ACHIEVING ACCURATE FLOWRATES

To obtain an accurate flowrate, the float must be read at the position indicated on the meter. Additionally,

CAUTION

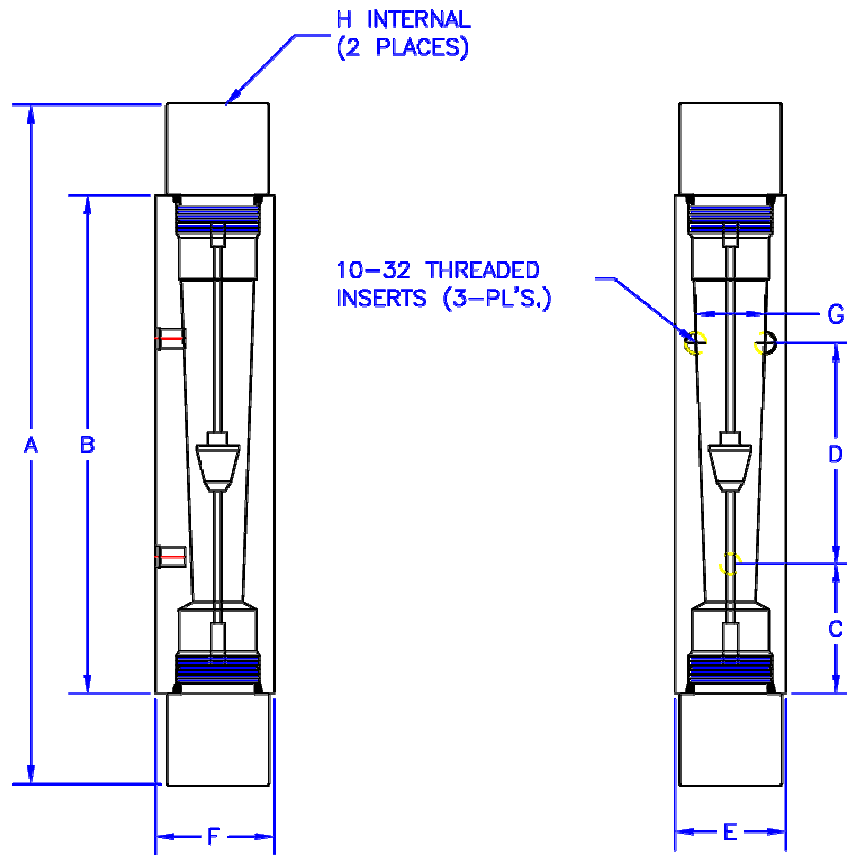
THIS FLOWMETER IS DESIGNED FOR USE WITH NON-HAZARDOUS FLUIDS AT PRESSURES UP TO 100 PSI (690 kPa) AND TEMPERATURES UP TO 150 °F (65 °C). DO NOT USE HAZARDOUS FLUIDS AND DO NOT EXCEED TEMPERATURE OR PRESSURE LIMITS. USE WITH HAZARDOUS FLUIDS OR EXCEEDING THE PRESSURE AND TEMPERATURE LIMITS MAY CAUSE FAILURE WHICH COULD RESULT IN INJURY.

INLINE (PI) METER			
SCFM/SCFH OF AIR		GPM/GPH OF WATER	
RANGE	MODEL	RANGE	MODEL
50/3000	48A01I	12/720	48L00I
70/4200	48A03I	15/900	48L02I
80/4800	48A05I	20/1200	48L04I
LPM/LPH AIR		LPM/LPH WATER	
RANGE	MODEL	RANGE	MODEL
1400/84000	48A07I	45/2700	48L06I
1800/108000	48A09I	60/3600	48L08I
2200/132000	48A11I	70/4200	48L10I

REASSEMBLY

Check to make sure that all parts are clean and dry. To lubricate the o-rings, apply a small amount of halocarbon grease prior to reassembly. Replace the float on the rod guide and reinstall the float stops. Reinstall the rod guide assembly into the flowmeter body. Make sure the rod guide is seated firmly in the inlet fitting of the meter. Reinstall the outlet fitting, making sure that the rod guide is properly aligned.

If you have any questions regarding the installation, maintenance or use of this flowmeter, please call the Customer Service Department at 1-800-356-7483.



FR4800-I	A	B	C	D	E	F	G	H
INCHES	11-1/4"	8-3/4"	1-7/8"	5"	1-1/2"	1-5/8"	1"	3/4-14 FNPT
MILLIMETERS	286	222	48	127	38	41	25.4	

CONTINUED PRODUCT IMPROVEMENT MAY RESULT IN SPECIFICATION REVISIONS

WHEN ORDERING PARTS PLEASE INCLUDE PART DESCRIPTION, ITEM NUMBER AND TYPE OF MATERIAL REQUIRED.